

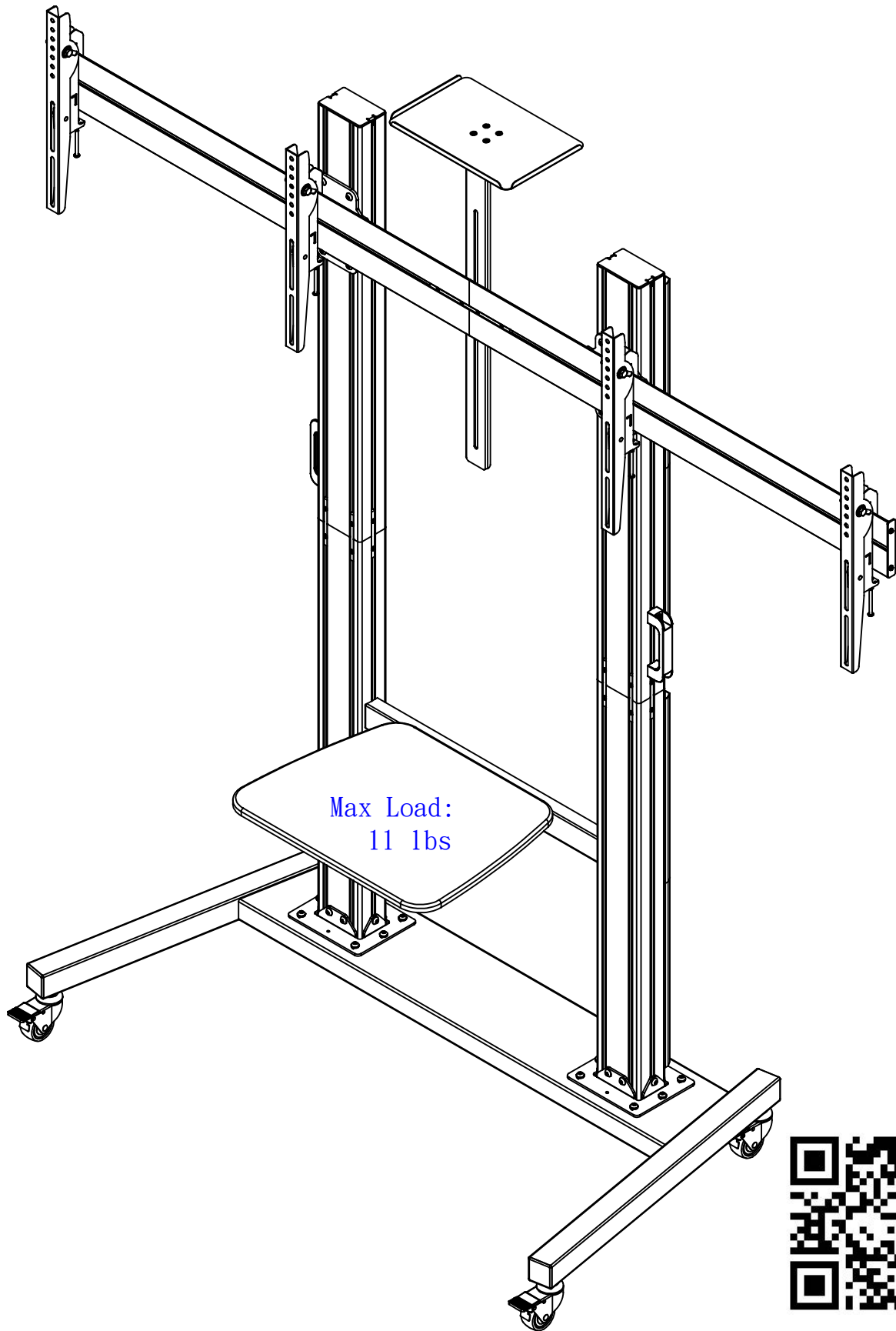
Mobile Dual-Screen TV Stand  
Assembly Instructions

SKUs: TVSTNDLBK2, TVSTNDLSV2

Max Load: 150 lbs per screen



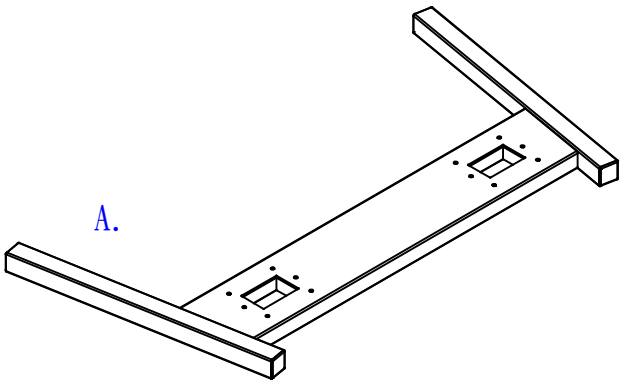
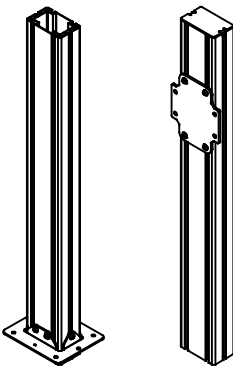
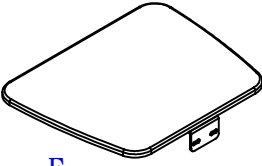
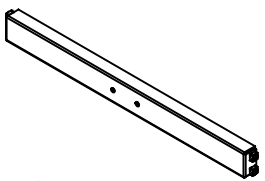
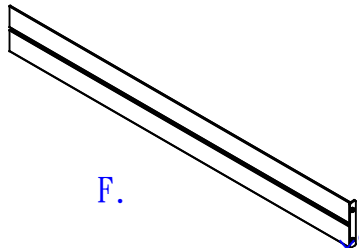


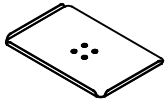
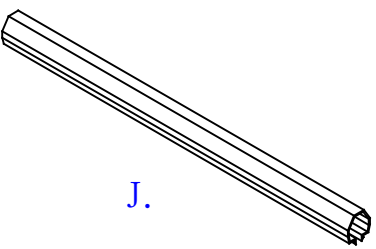
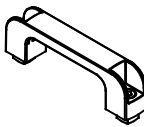
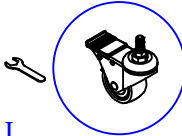







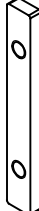

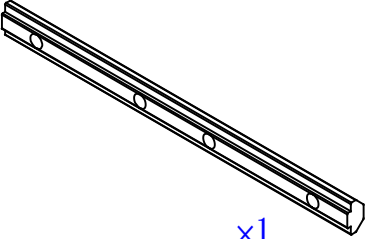


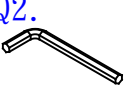
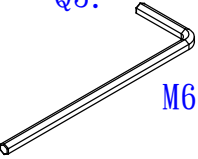








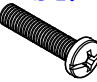


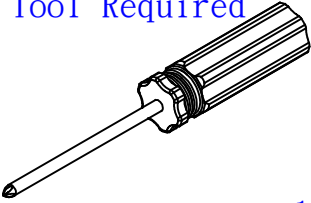
DISPLAYS2GO  
CONNECTING PEOPLE & BRANDS WITH THE WORLD



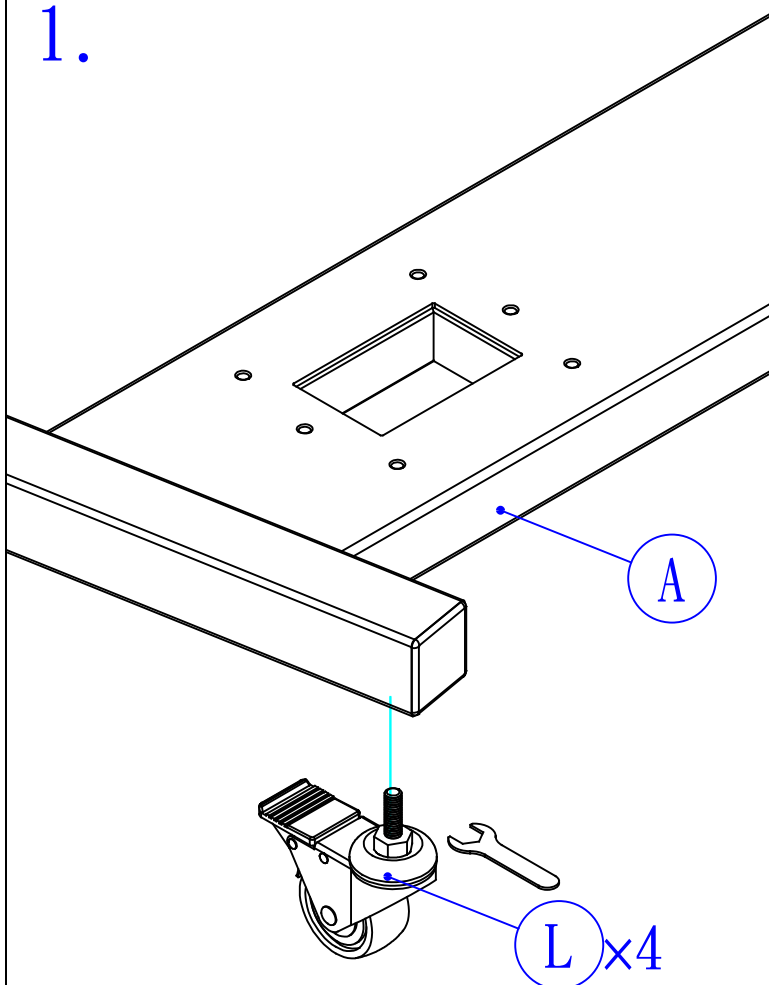
Scan QR code to  
visit product page

If you have any questions regarding our products, please visit us at [www.displays2go.com](http://www.displays2go.com)  
or contact D2G customer service at 844-221-3388.

# Part List:

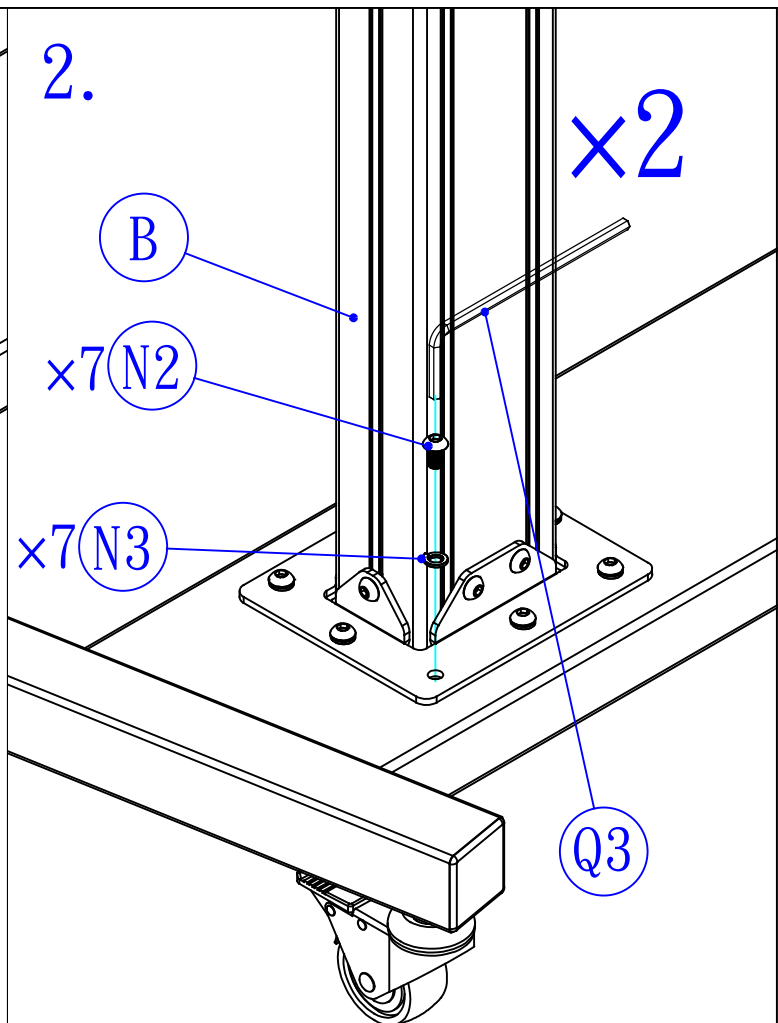
 <p>A. <span style="float: right;">x1</span></p>	 <p>B. <span style="float: right;">x2</span></p> <p>C.</p>	 <p>E. <span style="float: right;">x1</span></p>  <p>D. <span style="float: right;">x1</span></p>	
 <p>F. <span style="float: right;">x2</span></p>	 <p>G. <span style="float: right;">x4</span></p>	 <p>H. <span style="float: right;">x1</span></p>	 <p>I. <span style="float: right;">x1</span></p>
 <p>J. <span style="float: right;">x8</span></p>	 <p>K. <span style="float: right;">x2</span></p>	 <p>L. <span style="float: right;">x4</span></p>	
<p>M1.  M4x8 <span style="float: right;">x4</span></p> <p>M2.  M8x14 <span style="float: right;">x4</span></p> <p>M3.  <span style="float: right;">x2</span></p>	<p>N1.  M8x16 <span style="float: right;">x8</span></p> <p>N2.  M8x14 <span style="float: right;">x14</span></p> <p>N3.  M8 <span style="float: right;">x14</span></p> <p>N4.  <span style="float: right;">x8</span></p>		
<p>O1.  <span style="float: right;">x12</span></p> <p>O2.  M8x10 <span style="float: right;">x24</span></p>	<p>P1.  <span style="float: right;">x1</span></p> <p>P2.  M8x10 <span style="float: right;">x4</span></p>		
<p>Q1.  M4</p>	<p>Q2.  M5</p>	<p>Q3.  M6</p>	<p>TV Kit</p> <p>R1.  M4x16</p> <p>R2.  M4x35</p> <p>R3.  M5x16</p> <p>R4.  M5x35</p> <p>R5.  M5 <span style="float: right;">x12</span></p>
<p>TV Kit</p> <p>S1.  M6x16</p> <p>S2.  M6x35</p> <p>S3.  M8x16</p> <p>S4.  M8x35</p> <p>S5.  1/4"</p> <p>S6.  M8 <span style="float: right;">x12</span></p>	<p>Tool Required</p>  <span style="float: right;">x1</span>		

1.



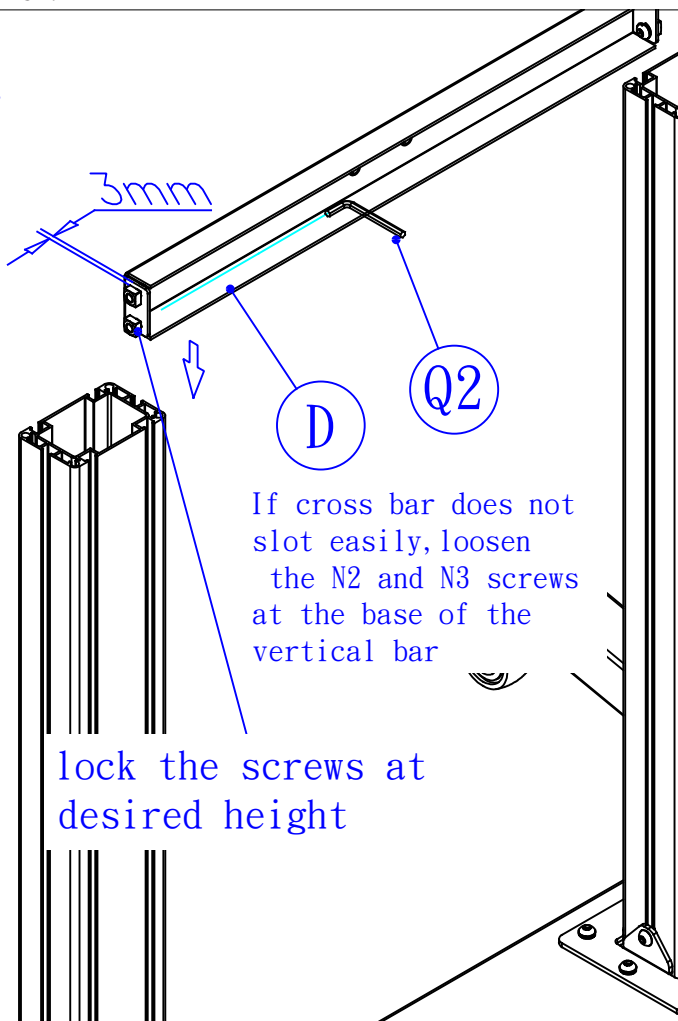
1. Attach casters to the bottom of the frame, using a wrench to tighten.

2.



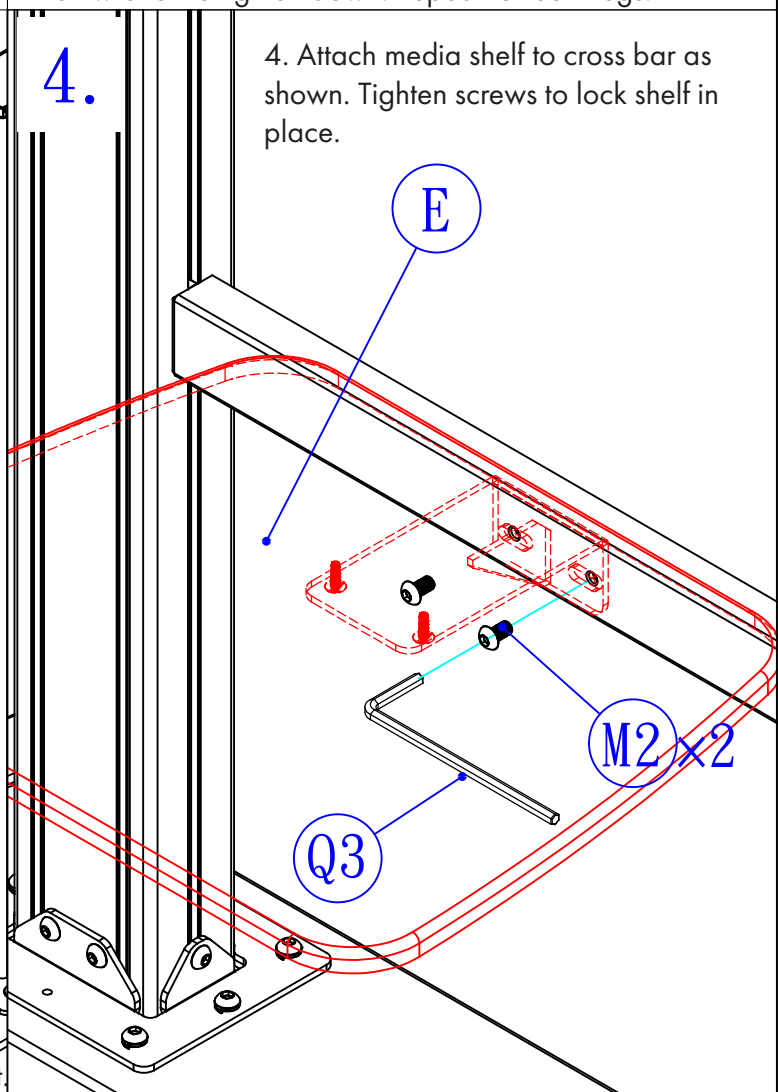
2. Slot screw down through the leg posts as shown, and use Allen wrench to tighten down. Repeat for both legs.

3.



3. Slot cross bar into leg posts and then lock the screws by tightening at desired height. Use a level to ensure it is straight.

4.

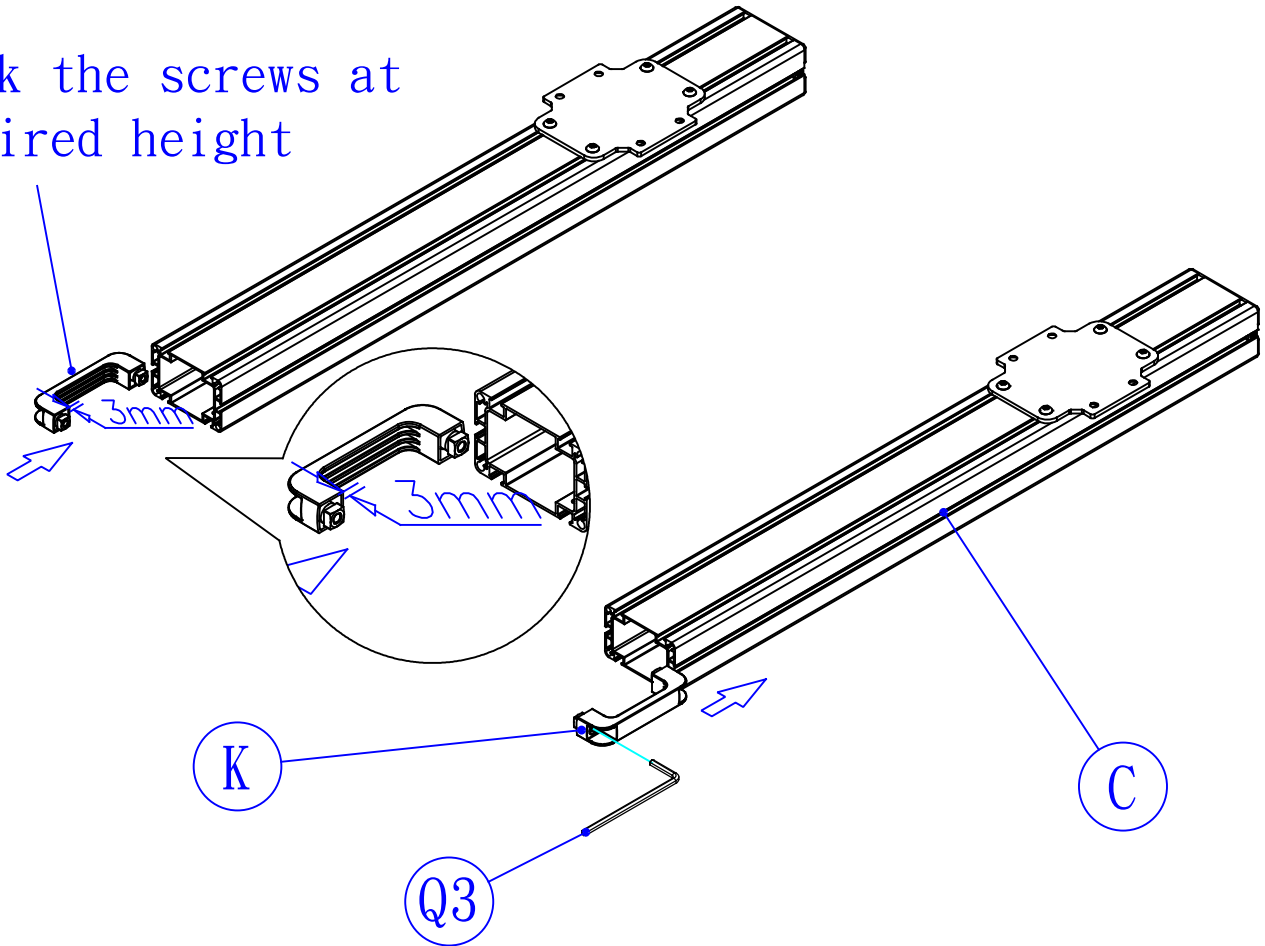


4. Attach media shelf to cross bar as shown. Tighten screws to lock shelf in place.

5.

5. Insert handles into upper leg post pieces by sliding in as shown, then tightening screws to lock in desired place.

Lock the screws at desired height

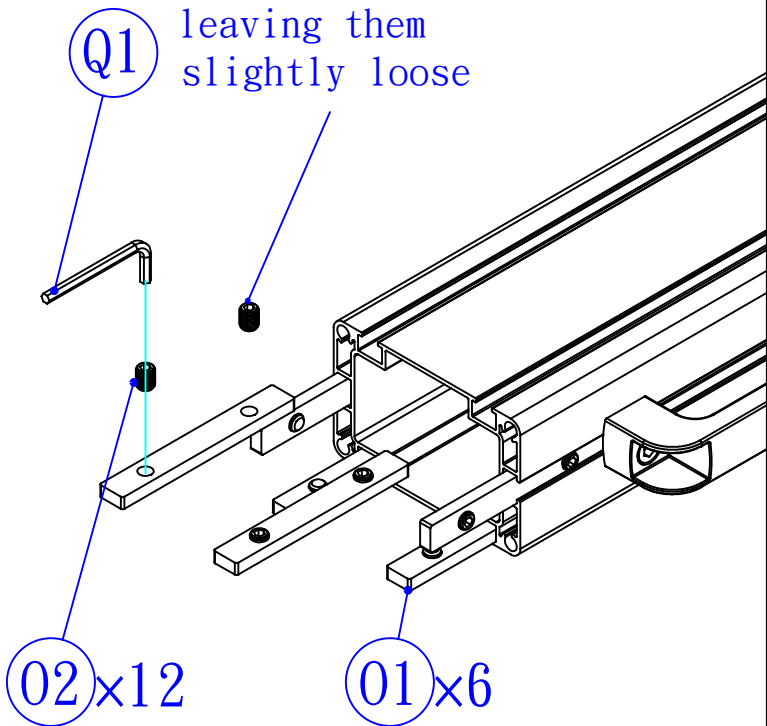


6.

6. Insert screws into prongs, then tighten slightly, leaving slightly loose.

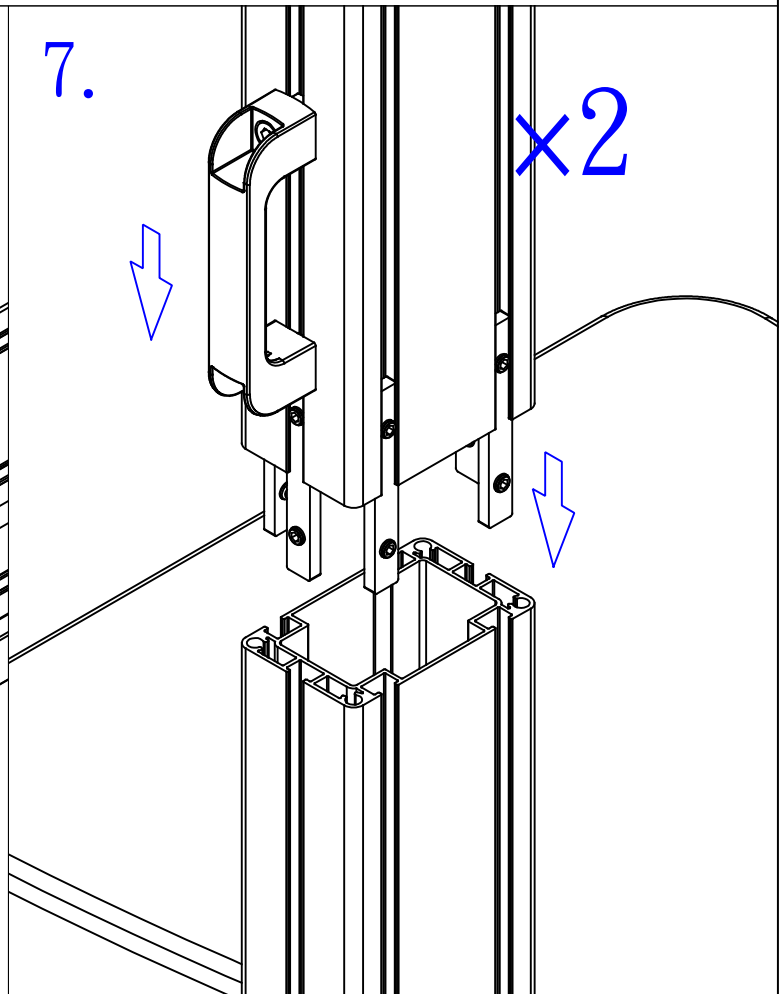
Slightly tighten the screws leaving them slightly loose

x2



7.

x2



7. Insert prongs into lower leg post.

8.

8. Tighten screws that were left loose in step 6 to lock the posts together.

x2

Q1

Fasten the screws

9.

x2

Q3

Lock the screws at the desired height

9. Lock the flat panel at the desired height at which you would like to fix the crossbar that will hold the TV.

10.

F x2

N4 x8

11.

LEFT

M3 x2

RIGHT

Q1

P2 x4

P1

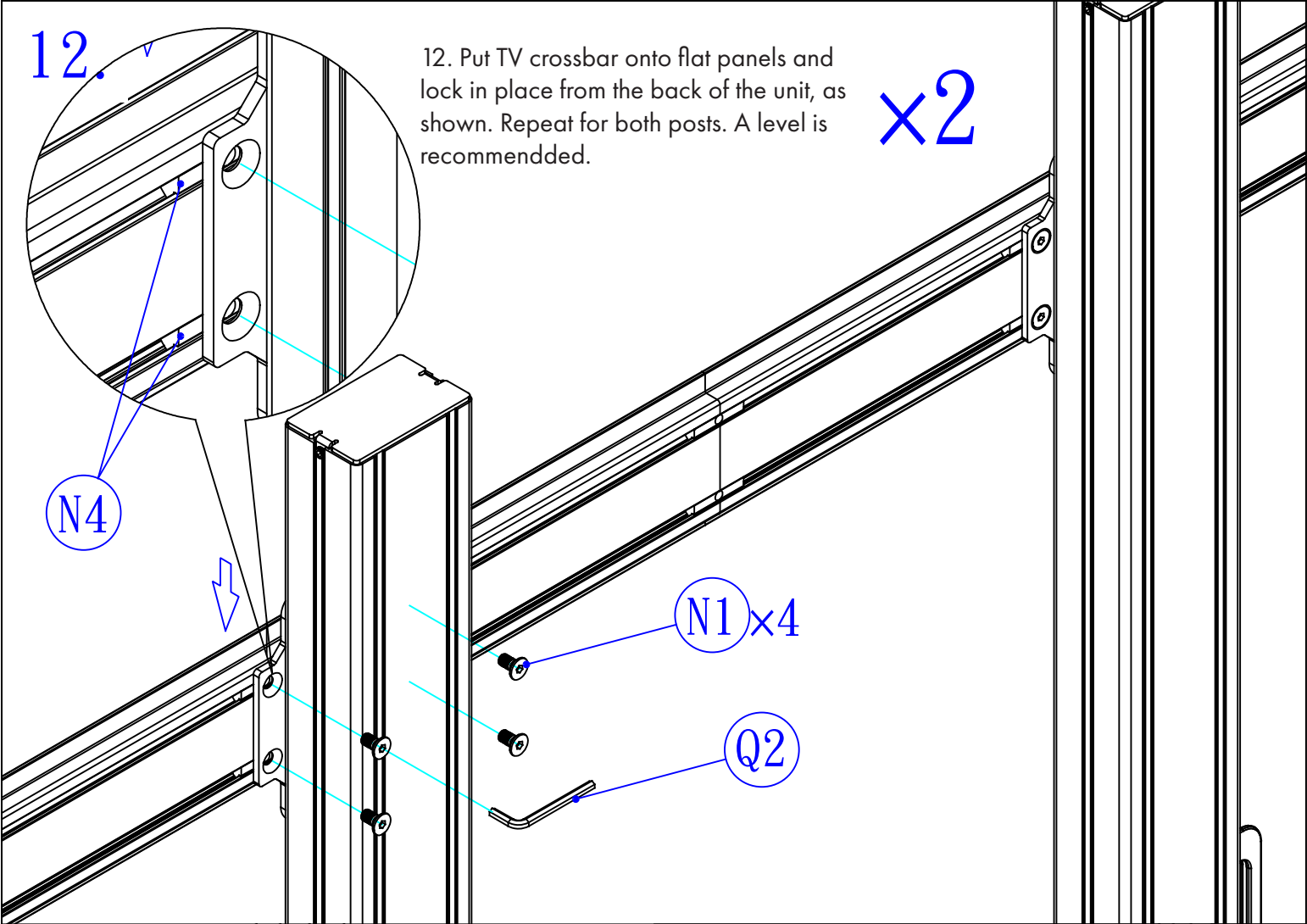
10. Slide in locking mechanisms.

11. Slot cross bars that hold TV together and lock in place with screws.

12.

12. Put TV crossbar onto flat panels and lock in place from the back of the unit, as shown. Repeat for both posts. A level is recommended.

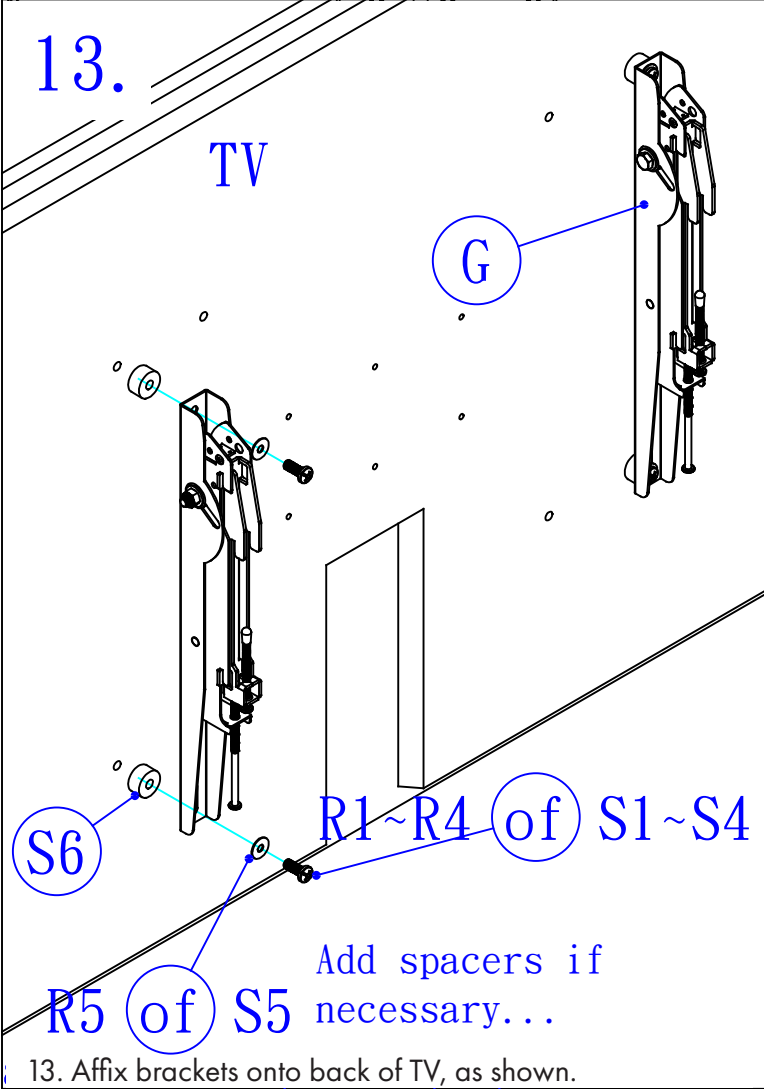
x2



13.

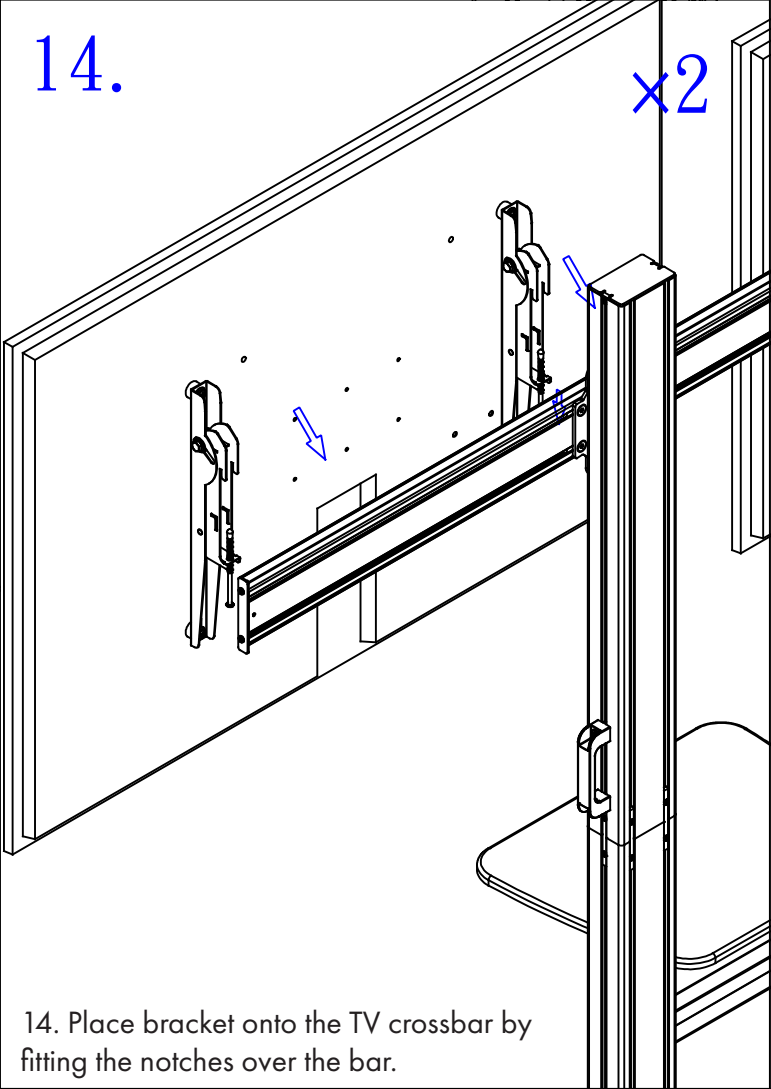
TV

G



14.

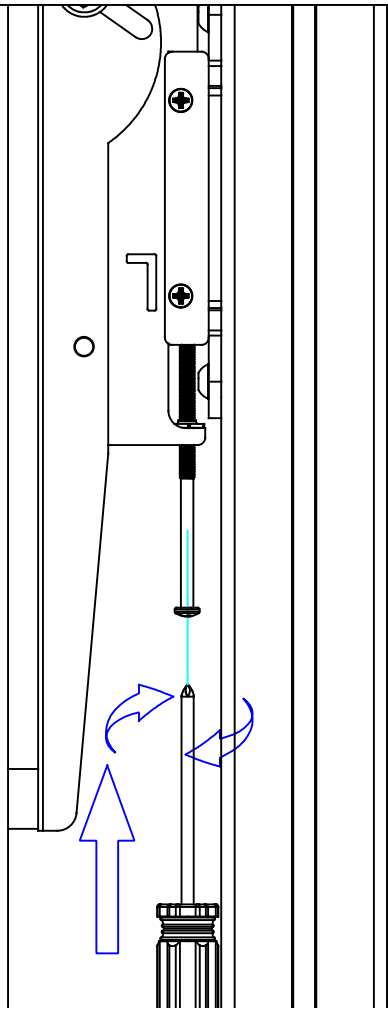
x2



14. Place bracket onto the TV crossbar by fitting the notches over the bar.

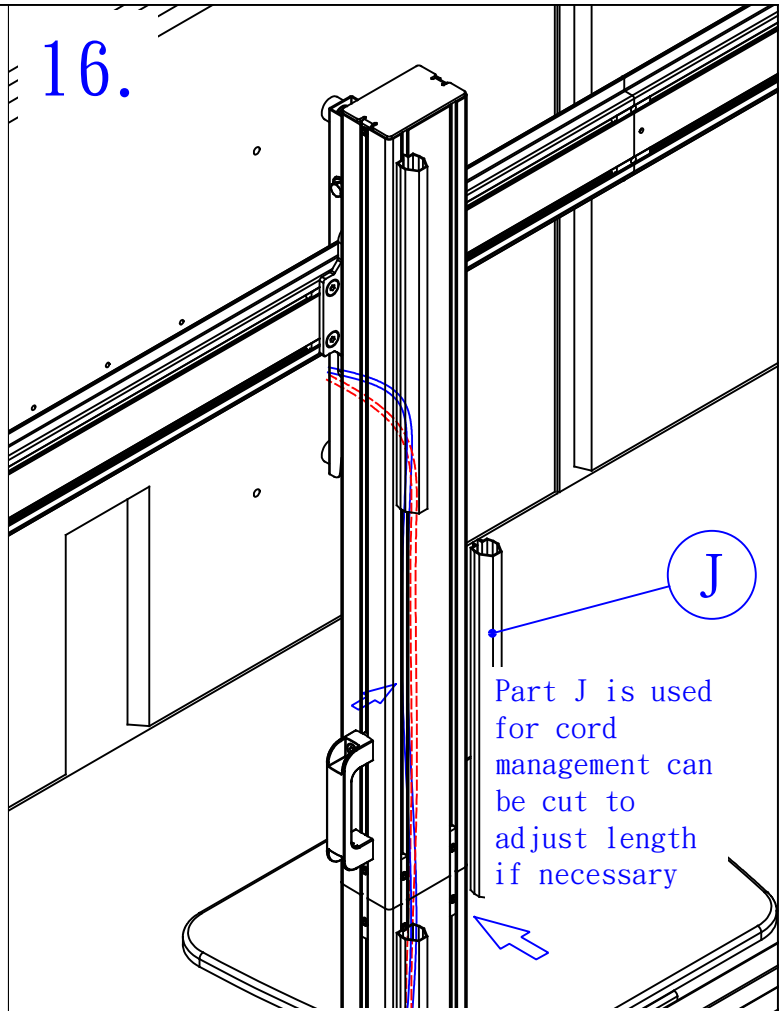
13. Affix brackets onto back of TV, as shown.

15.



15. Fit rubber-tipped screw into bracket and tighten to hold the bracket in place at desired angle.

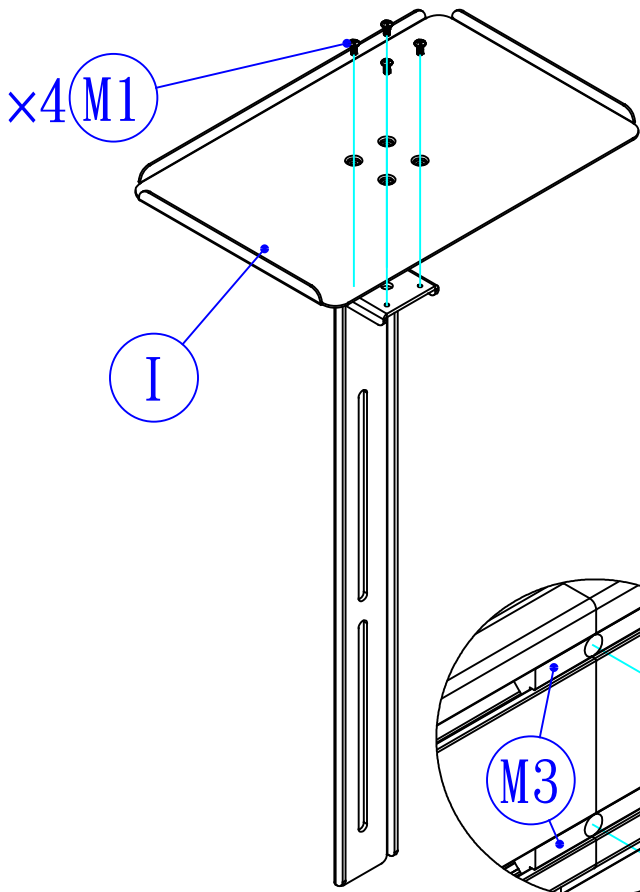
16.



15. Slot the plastic cord management unit into the leg posts at desired height to hold TV cord.

Part J is used for cord management can be cut to adjust length if necessary

17.



17. Attach top media shelf to its support, as shown.

18.

18. Attach the media shelf to the back of the TV crossbar.

